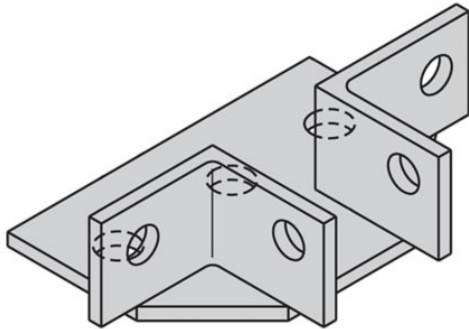


Eaton SB205DKYZ

Catalog Number: SB205DKYZ

Eaton auxiliary support kit, Steel, Welded gussets provide extra strength-rigidity, Yellow zinc, 2" X 9/16" length, Heavy duty junction kit

General specifications



Product Name	Catalog Number
Eaton auxiliary support kit	SB205DKYZ
UPC	Product Length/Depth
799038015871	6 in
Product Height	Product Width
4 in	1.63 in
Product Weight	Certifications
6.6 lb	Not Applicable

Product specifications

Model

2" X 9/16" heavy duty junction kit

Material

Steel

Finish

Yellow zinc chromate

Resources

Catalogs

[auxillary supports](#)

Specifications and datasheets

[Eaton Specification Sheet - SB205DKYZ](#)



Eaton Corporation plc
Eaton House
30 Pembroke Road
Dublin 4, Ireland
Eaton.com

© 2023 Eaton. All Rights Reserved.

Eaton is a registered trademark.

All other trademarks are property of their respective owners.



[Eaton.com/socialmedia](https://www.eaton.com/socialmedia)